

SYSTEM INTRODUCTION

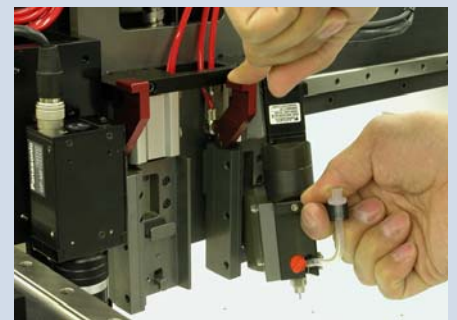
- Compact Footprint
- Unibody Frame
- Functional Workarea
12" x 12" (305 mm X 305 mm)
- 2 Valve/Tool Capability
- Up To 38,000 Dots / Hour
- Accuracy of ± 0.001 " (0,025 mm)
- Linear Speed of 30"/sec (762 mm/sec)

The **GPD Global[®] MicroMax[®]** is a compact, high accuracy system designed for today's advanced applications. The frame is molded from "liquid rock" which gives the system a stable platform for accurate positioning and high-speed production.

Two valve capability lends the system to many different processes. Each tool or valve is mounted to the MicroMax gantry via GPD Global's exclusive Tool-less Taper-Lock[™] mounting hardware. An operator does not need any tools to remove or add a valve to the system. Additionally, GPD Global's Micro-Dot and LX Auger valves both incorporate a tool-less design making cleaning and changeover a snap. The Micro-Dot valve is capable of dispensing a wide range of materials in very accurate, small volumes; materials include solder pastes, conductive adhesives and underfills, to name a few.



GPD offers many innovative features that ensure a process is done with confidence. Some key features are: Automatic X, Y, Z calibration (no operator intervention required), needle cleaner, computer controlled syringe air pressure, Contour Mapping[™], FLOWare[®] operating software and multi valve capability.



Standard Features

- Automatic Vision
- Red/Blue Illuminator
- Needle Cleaner
- Auto X, Y, Z Calibration
- 2 Valve Capability
- Tool-less Taper-Lock™ Mounting Hardware
- Computer Controlled Syringe Pressure
- FLOWare® Operating Software
- Network Communications

Power

MicroMax® SA, MicroMax® IL

120 Volts or 230 Volts AC frequency 50-60 Hz
 Maximum 10 amps @ 120 Volts or 5 amps @ 230 Volts

GPD Global recommends use of dedicated, external circuit breaker/fusing. Alternately, use properly rated branch fusing.

Air

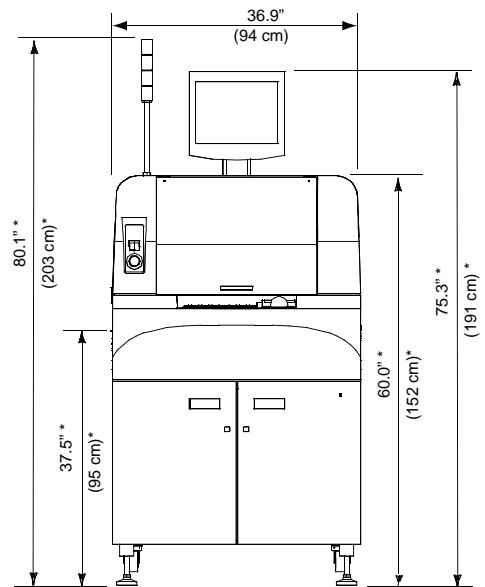
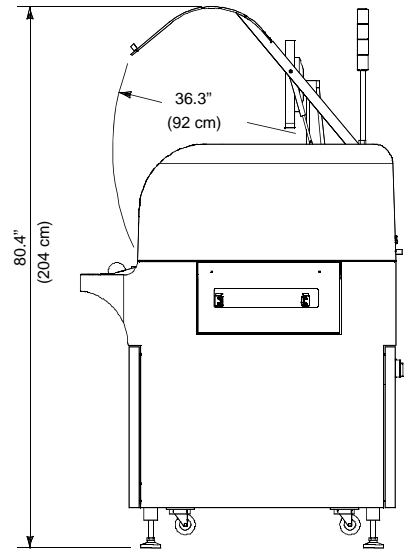
Pressure (clean & dry air) . . . 80 psi (552 kPa)
 Flow rate (maximum) - add flow for each system present:
 machine 4 CFM @ 87 psi (113 l/min @ 600 kPa)
 optional vacuum system . . . 4 CFM @ 50 psi (113 l/min @ 345 kPa)
 Air fitting thread* 1/4" NPT
 *(customer supplies connection hardware)

Ventilation

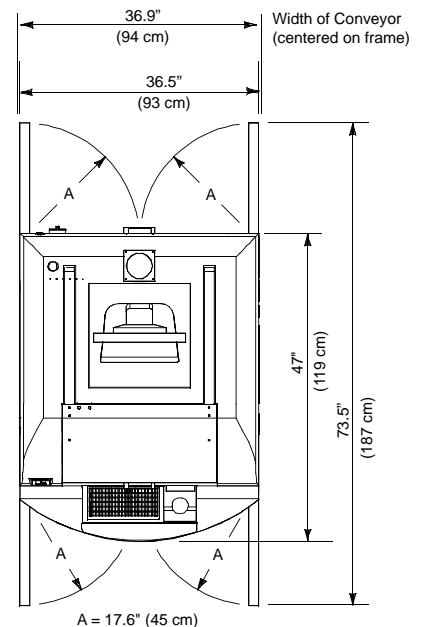
Exhaust port* 4" (101.6 mm)
 *(customer supplies ducting to exhaust port)
 Ventilation flow rate 250 CFM (7,079 l/min) per port

Crating Specifications

Weight, crated 2250 lbs (1021 kg)
 Dimensions, crated 51" W x 63" D x 72" H
 (130 cm W x 160 cm D x 183 cm H)



* All vertical dimensions can be adjusted (together) +/- 1.00" (+/- 2.5 cm)



Standard direction of flow is Left-to-Right, however, Right-to-Left is configurable at time of order.



Headquarters

611 Hollingsworth Street, Grand Junction, CO 81505
 tel: +1.970.245.0408 • fax: +1.970.245.9674 • request@gpd-global.com • www.gpd-global.com Rev Apr 2009